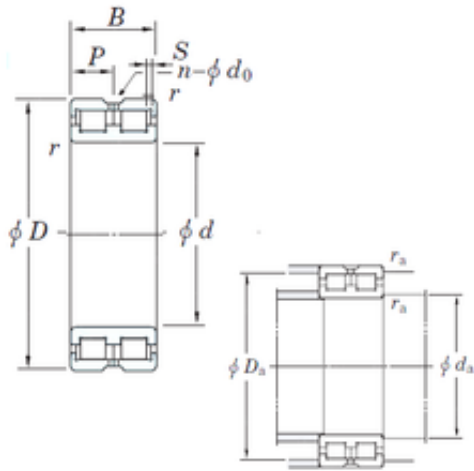




Guangzhou Ouster Hydraulic Co., Ltd.



DC4956VW KOYO Full complement cylindrical roller bearings

Bearing No. DC4956VW

DC4956VW Bearing 2D drawings and 3D CAD models

Size	280x380x100 mm
Bore Diameter	280 mm
Outer Diameter	380 mm
Width	100 mm
d	280 mm
D	380 mm
B	100 mm
C	100 mm
n	8 mm
p	50 mm
r min.	2,1 mm
S	6 mm
da min.	292 mm
Da max.	368 mm
ra max.	2 mm
Weight	33,9 Kg
Basic dynamic load rating (C)	1 130 kN
Bearing No.	DC4956VW
r(min)	2.1
Cr	1130
C0r	2700
S	6 mm
P	50
n(qty)	8
do	6



Guangzhou Ouster Hydraulic Co., Ltd.

da(min)	292
Da(max)	368
ra(max)	2
(Refer.)Mass(Fixed side)(kg)	33.1