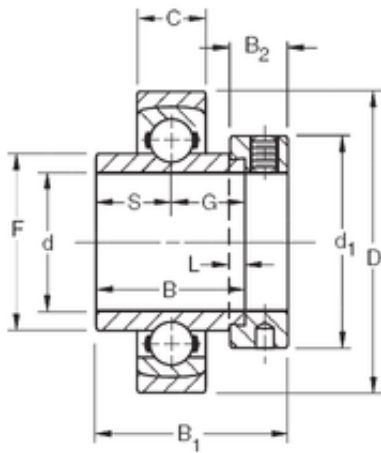




Guangzhou Ouster Hydraulic Co., Ltd.



30,1625 mm x 80 mm x 36,51 mm TIMKEN SMN103KS Insert Bearings Spherical OD

Bearing No. SMN103KS

Size	30.1625x80x36.51 mm
Bore Diameter	30,1625 mm
Outer Diameter	80 mm
Width	36,51 mm
d	30,1625 mm
D	80 mm
B	36,51 mm
C	19 mm
d1	49,2 mm
B1	50 mm
B2	17,5 mm
F	43,23 mm
G	19,1 mm
L	4 mm
S	17,5 mm
Weight	0,654 Kg
Basic dynamic load rating (C)	33,5 kN

SMN103KS Bearing 2D drawings and 3D CAD models