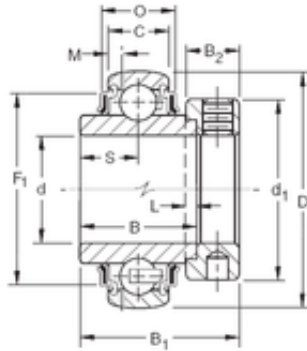




Guangzhou Ouster Hydraulic Co., Ltd.

G-KRRB Two Seals
Spherical O.D.



34,925 mm x 72 mm x 37,7 mm TIMKEN G1106KRRB Insert Bearings Spherical OD

Bearing No. G1106KRRB

Size	34.925x72x37.7 mm
Bore Diameter	34,925 mm
Outer Diameter	72 mm
Width	37,7 mm
d	34,925 mm
D	72 mm
B	37,7 mm
C	19 mm
P	21,74 mm
O	60,55 mm
d1	54 mm
B1	3,68 mm
B2	17,1 mm
L	4 mm
S	18,85 mm
F1	51,2 mm
Weight	0,585 Kg
Basic dynamic load rating (C)	28,5 kN

G1106KRRB Bearing 2D drawings and 3D CAD models