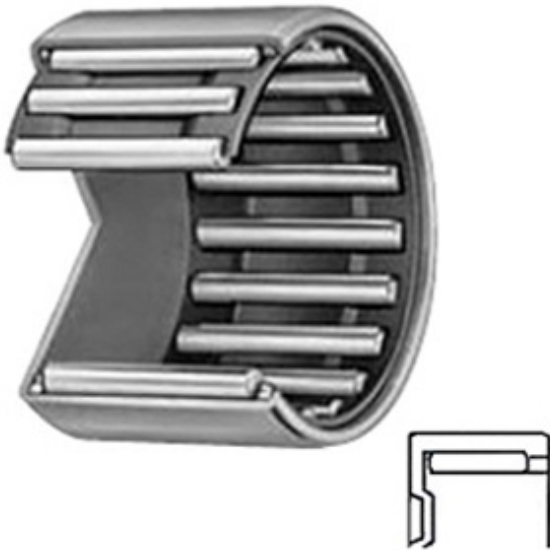




# Guangzhou Ouster Hydraulic Co., Ltd.



1.313 Inch | 33.35 Millimeter x 1.625 Inch |  
 41.275 Millimeter x 0.625 Inch | 15.875 Millimeter  
 IKO BAM2110 Needle Non Thrust Roller Bearings

Bearing No. BAM2110

BAM2110 Bearing 2D drawings and 3D CAD models

Category	Needle Non Thrust Roller Bearings
Inventory	0.0
Manufacturer Name	IKO
Minimum Buy Quantity	N/A
Weight	0.041
EAN	4549557002816
Product Group	B04144
Rolling Element	Needle Roller Bearing
Component	Roller Assembly with Outer Ring - No Inner Ring
Enclosure	Open
Self Aligning	No
Retainer	Yes
Number of Rows of Rollers	Single Row
Separable	No
Closed End	Yes
Inch - Metric	Inch
Relubricatable	No
Thrust Bearing	No
Long Description	1-5/16" Bore; 1-5/8" Outside Diameter; 5/8" Width; Needle Roller Bearing; Roller Assembly with Outer Ring - No Inner Ring; Open Enclosure; No Self Aligning; Yes Retainer;



## Guangzhou Ouster Hydraulic Co., Ltd.

	Single Row of
Other Features	1 Rib Outer Ring   Drawn Cup Bearing
Category	Needle Non Thrust Roller Bearing
UNSPSC	31171512
Harmonized Tariff Code	8482.40.00.00
Noun	Bearing
Keyword String	Needle
Manufacturer URL	<a href="http://www.ikont.com">http://www.ikont.com</a>
Manufacturer Item Number	BAM2110
Weight / LBS	0.091
B	0.625 Inch   15.875 Millimeter
D	1.625 Inch   41.275 Millimeter
d	1.313 Inch   33.35 Millimeter